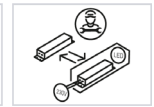
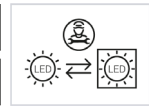


REMBRANT

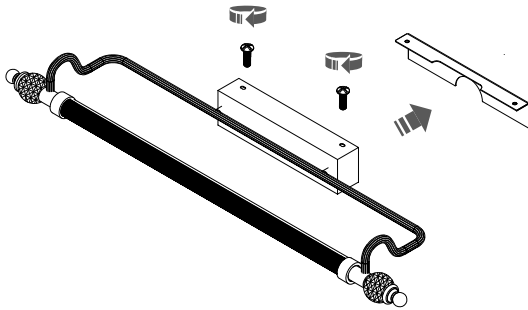
M 8166

L 8167

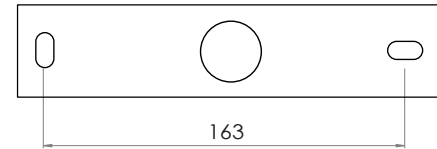
THIS PRODUCT CONTAINS A LIGHT SOURCE OF ENERGY EFFICIENCY CLASS: F (8167)
G (8166)



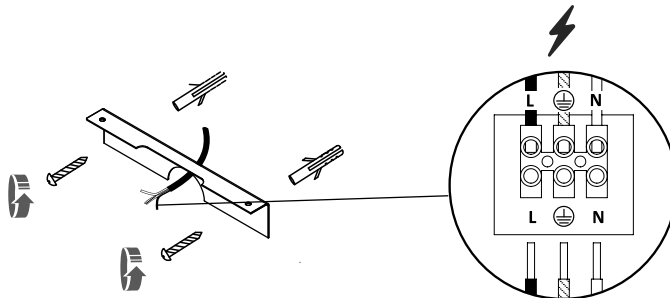
1



2



3



4

