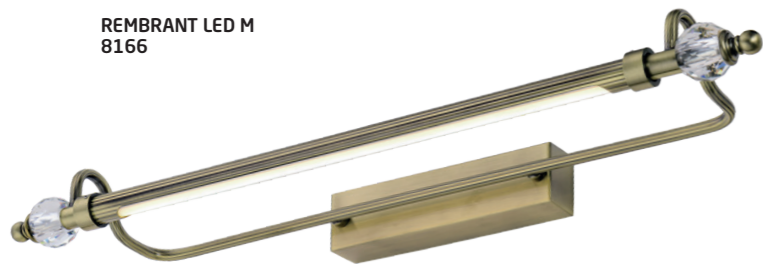


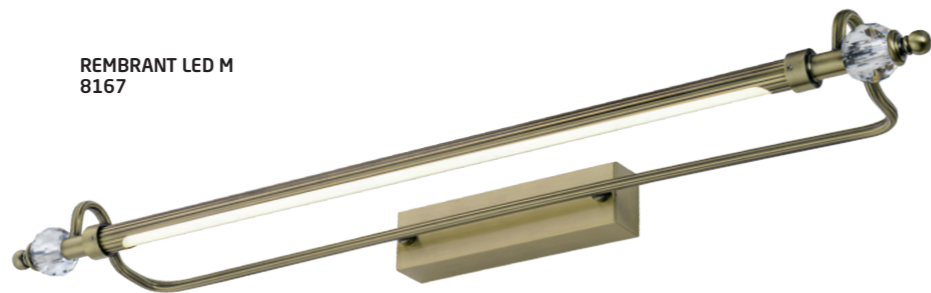
REMBRANT LED L 8167



REMRANT LED M
8166



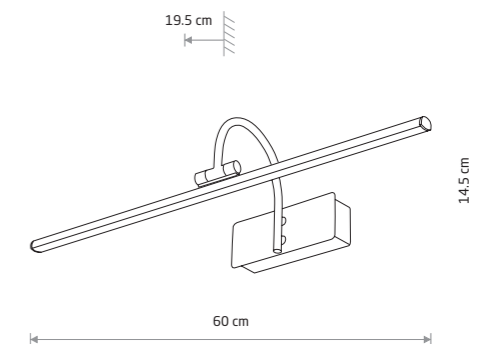
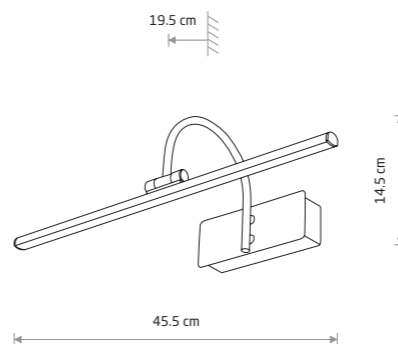
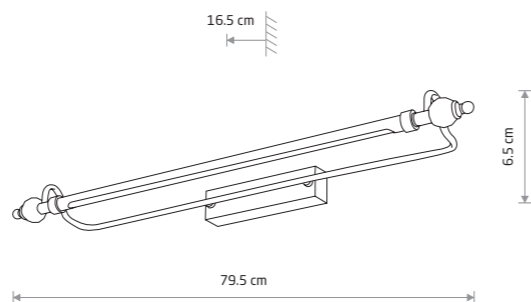
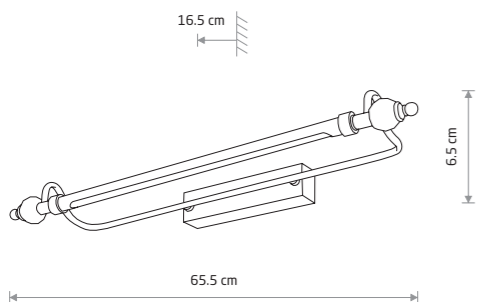
REMRANT LED M
8167



GIOTTO LED S 8168



GIOTTO LED M 8170



REMRANT LED M

brass plated steel

8166



REMRANT LED L

brass plated steel

8167



GIOTTO LED S

brass plated steel

8168



GIOTTO LED M

brass plated steel

8170



Item No.	Power	Colour temp.	Luminous flux	Beam angle	Colour Rendering Index (CRI)	Input	Safety type	Power factor	Ingress protection	Lifetime
8166	9W LED	3000K	600 lm	120°	≥80	~220-230 V, 50/60 Hz	⊕	>0.5	IP20	30000h
8167	13W LED	3000K	900 lm	120°	≥80	~220-230 V, 50/60 Hz	⊕	>0.5	IP20	30000h

Item No.	Power	Colour temp.	Luminous flux	Beam angle	Colour Rendering Index (CRI)	Input	Safety type	Power factor	Ingress protection	Lifetime
8168	9W LED	3000K	600 lm	120°	≥80	~220-230 V, 50/60 Hz	⊕	>0.5	IP20	30000h
8170	13W LED	3000K	900 lm	120°	≥80	~220-230 V, 50/60 Hz	⊕	>0.5	IP20	30000h